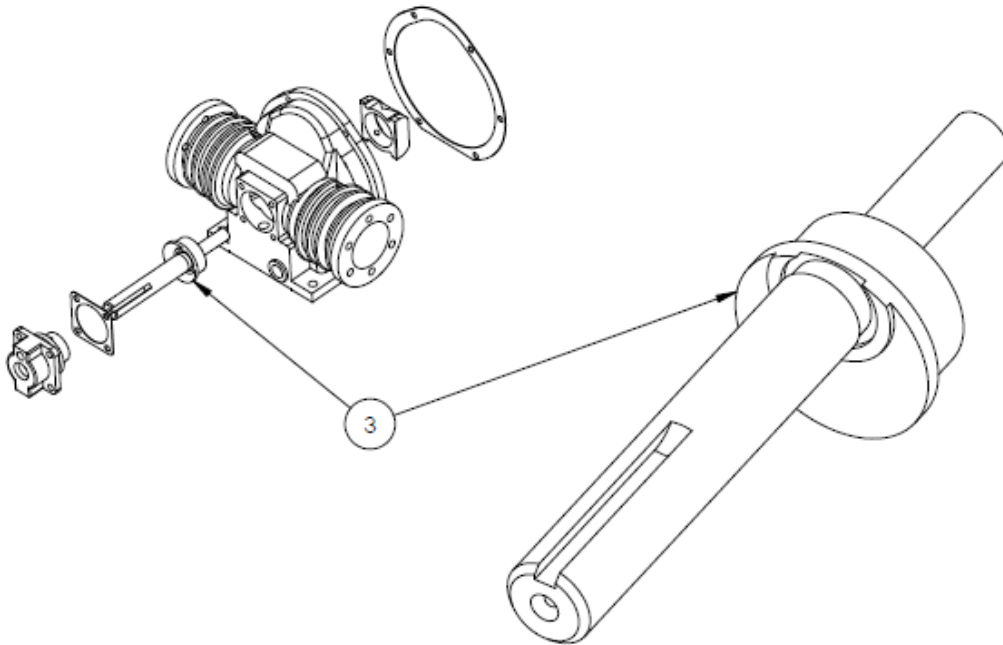


ITEM NO.	QTY.	PART NO.	DESCRIPTION
3	1	24201	Eccentric Crank Shaft



**PROPRIETARY AND CONFIDENTIAL**  
 THE INFORMATION CONTAINED IN THIS  
 DRAWING IS THE SOLE PROPERTY OF  
 BREAKER SERVICE INC. ANY  
 REPRODUCTION IN PART OR AS A WHOLE  
 WITHOUT THE WRITTEN PERMISSION OF  
 BREAKER SERVICE INC. IS PROHIBITED.  
 COPYRIGHT 2003

**Cross References**  
 ITE/ABB cat # 042L009-09  
 Keystone (Philadelphia - early) cat # 408  
 Keystone (Darby - later) cat # 10045

<b>BREAKER SERVICE INC</b> 800-526-5250 office 888-267-7690 fax			
Eccentric crank shaft for Keystone Model A or D air compressor			
REV <b>A</b>	DRWG. NO. <b>24201</b>	REV <b>0</b>	
SCALE 1:1	Date: 02-02-2003	SHEET 1 OF 1	