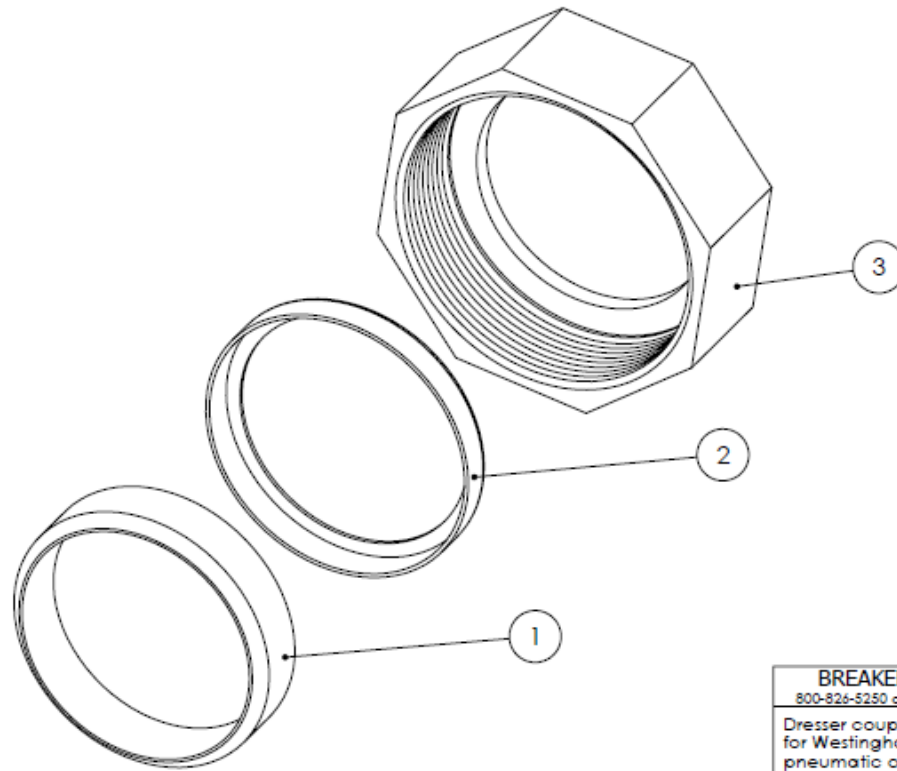


ITEM NO.	QTY.	DESCRIPTION
1	1	Gasket
2	1	Retainer
3	1	Nut



PROPRIETARY AND CONFIDENTIAL
 THE INFORMATION CONTAINED IN THIS DRAWING IS THE SOLE PROPERTY OF BREAKER SERVICE INC. ANY REPRODUCTION IN PART OR AS A WHOLE WITHOUT THE WRITTEN PERMISSION OF BREAKER SERVICE INC. IS PROHIBITED. COPYRIGHT 2003

BREAKER SERVICE INC
 800-826-5250 office 888-267-7690 fax
 Dresser coupling assembly
 for Westinghouse AA-10
 pneumatic operating mech.
 For 1.900 inch O.D. pipe

SIZE	DWG. NO.	REV.
A	30522	0
SCALE: NTS	Date: 08-09-2003	SHEET 1 OF 1