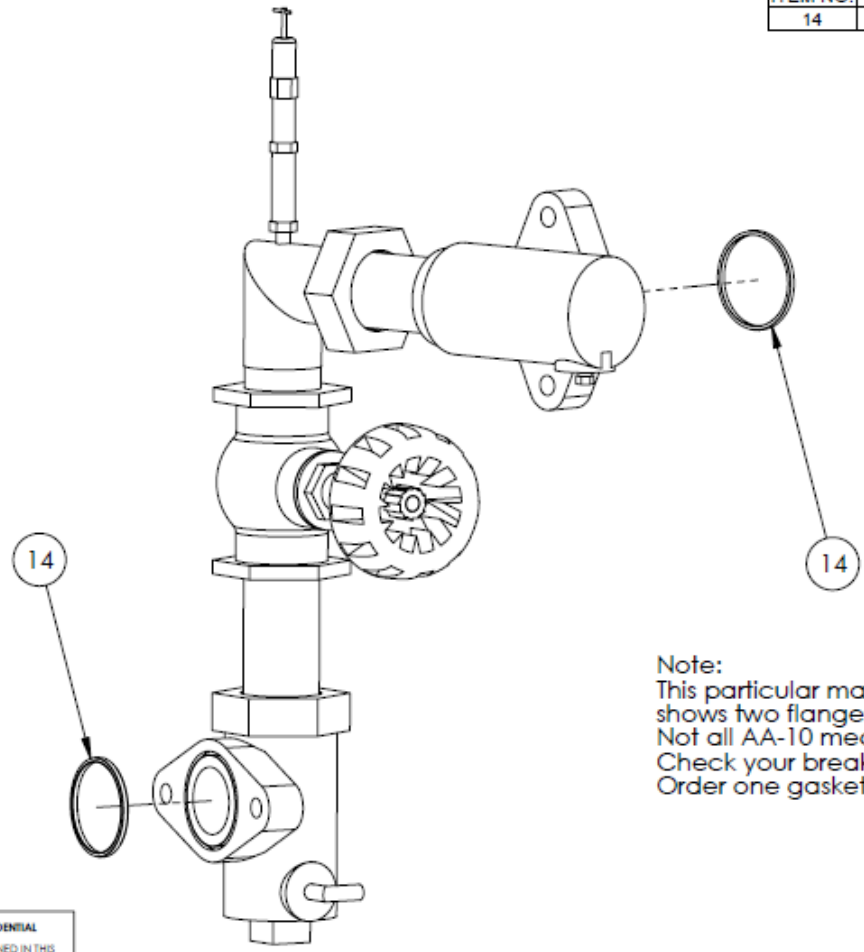


ITEM NO.	QTY.	DESCRIPTION
14	2	Gasket



**Note:**  
 This particular manifold configuration shows two flanges, requiring 2 gaskets. Not all AA-10 mechs have 2 flanges. Check your breaker for your particular needs. Order one gasket (part# 30523) per flange.

**PROPRIETARY AND CONFIDENTIAL**  
 THE INFORMATION CONTAINED IN THIS DRAWING IS THE SOLE PROPERTY OF BREAKER SERVICE INC. ANY REPRODUCTION IN PART OR AS A WHOLE WITHOUT THE WRITTEN PERMISSION OF BREAKER SERVICE INC. IS PROHIBITED. COPYRIGHT 2003

**BREAKER SERVICE INC**  
 800-826-5250 office 888-267-7690 fax

Gasket for flanges on Westinghouse AA-10 pneumatic operating mech.

SIE	DWG. NO.	REV.
A	30523	0
SCALE: NTS	Date: 08-09-2003	SHEET 1 OF 1