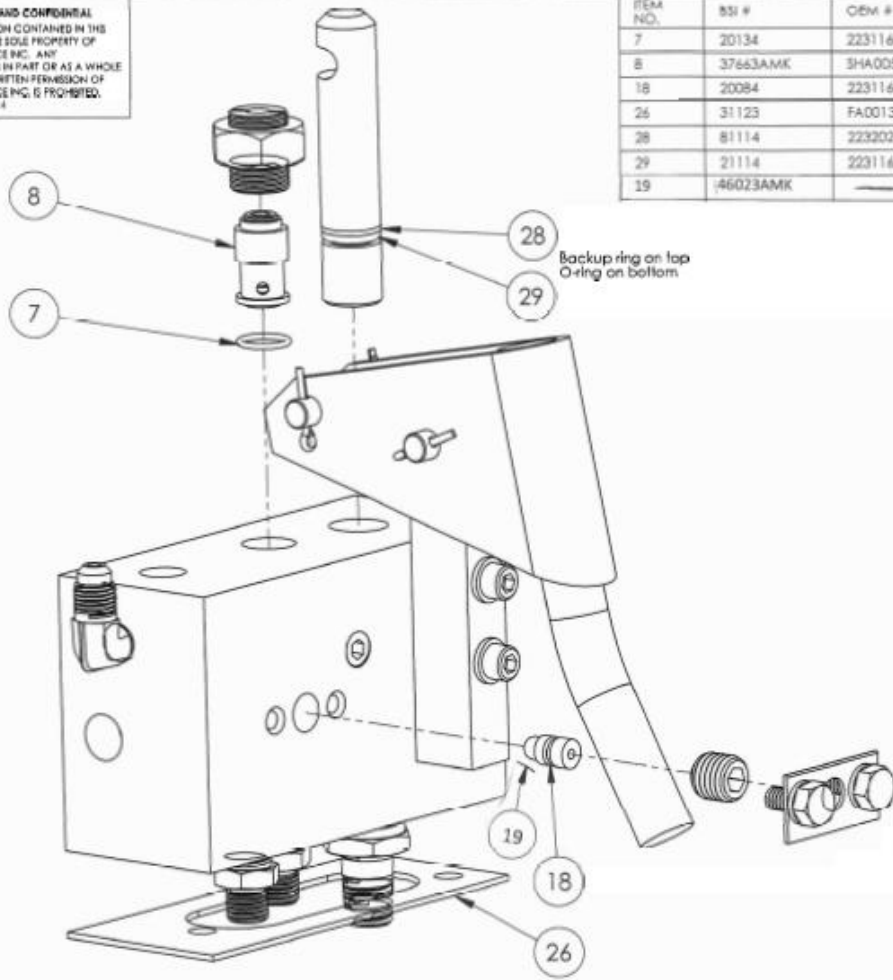


**PROPRIETARY AND CONFIDENTIAL**  
 THE INFORMATION CONTAINED IN THIS  
 DRAWING IS THE SOLE PROPERTY OF  
 BREAKER SERVICE INC. ANY  
 REPRODUCTION IN PART OR AS A WHOLE  
 WITHOUT THE WRITTEN PERMISSION OF  
 BREAKER SERVICE INC. IS PROHIBITED.  
 COPYRIGHT 2004



ITEM NO.	SSI #	QEM #	DESCRIPTION	QTY.
7	20134	223116013	"O" RING	1
8	37663AMK	3HA00504A00A	RELIEF VALVE ASSY	1
18	20084	223116008	"O" RING	1
26	31123	FA0013062	GASKET	1
28	81114	223202111	BACK-UP RING	1
29	21114	223116111	"O" RING	1
19	46023AMK		BALL BEARING	1

Backup ring on top  
 O-ring on bottom

**BREAKER SERVICE INC**  
 800-526-5250 office 888-267-7690 fax  
 Kit to rebuild the manual hand  
 pump and relief valve block for  
 a McGraw Edison OA-3 mech.

REV. NO. 38405AMK  
 SCALE 1:1 (DIM) SHEET 1 OF 1