

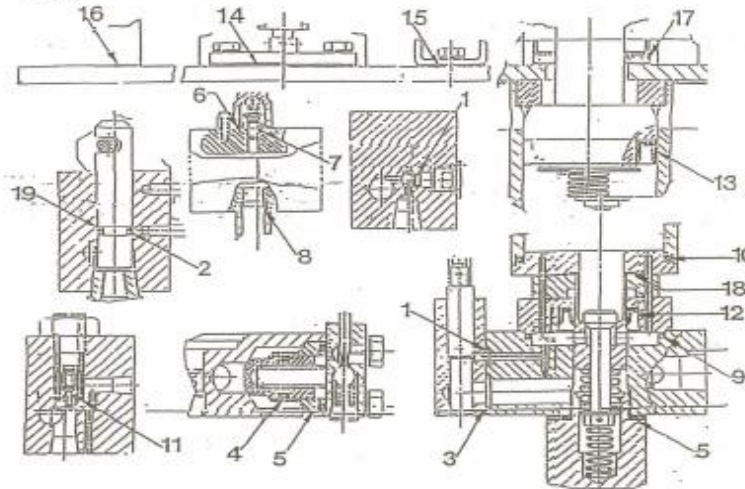


**McGRAW EDISON  
OA-3 MECHANISM**

PARTS NUMBERS ARE FOR REFERENCE ONLY. WE DO NOT IMPLY THAT ANY OF THESE PARTS WERE SUPPLIED BY, OR WERE APPROVED BY THE ORIGINAL EQUIPMENT MANUFACTURER. MCGRAW EDISON

REF	QTY	PART	REPLACES	REF	QTY	PART	REPLACES
1	2	2 0084	223 116 008	10	1	2 1494	223 116 149
2	1	2 1114	223 116 111	11	1	2 0134	223 116 013
3	1	2 1134	223 116 113	12	1	31128	223 091 112
4	1	2 1154	223 116 115	12	1	3759SAMK	223 091 113
5	2	2 2164	223 116 216	13	1	31127	223 091 111
6	1	2 2184	223 116 218	13	.1	37541AMK	223 091 110
7	1	2 0154	223 116 015	14	1	31125	FA 13060
8	1	3 9244	223 116 924	15	1	31124	FA 13061
9	1	2 2284	223 116 228	16	1	31123	FA 13062
9	1	2 2344	223 116 234	17	1	31122	FA 11956
10	1	2 2314	223 116 231	18	1	31121	FA 12802
10	1	2 1414	223 116 141	19	1	8 1114	223 202 111

\*NOTE: There are additional parts provided in the kit to accommodate mechanism type OA-3A, B & C.



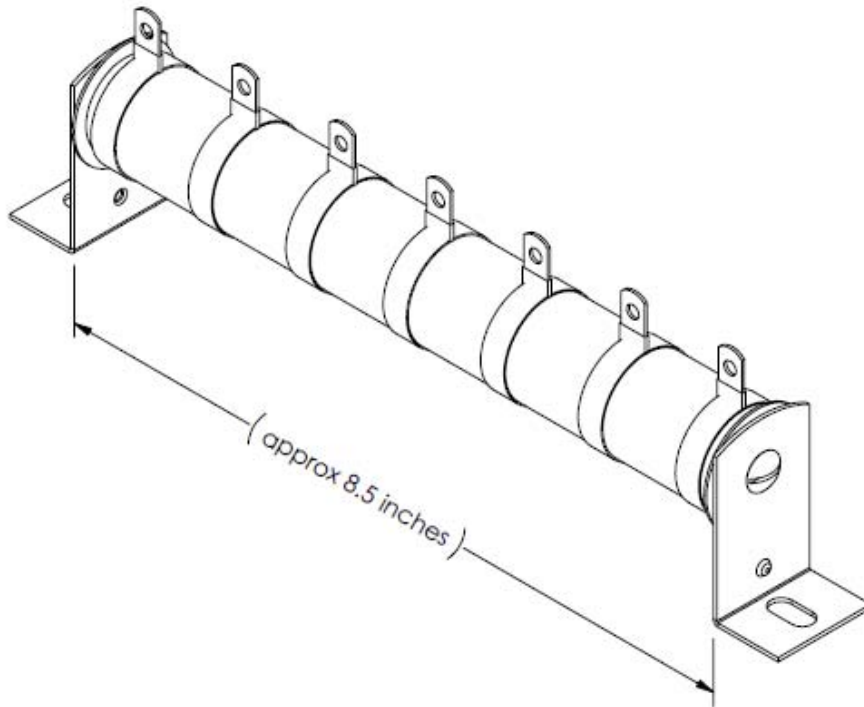
### FC 10616 OA-3 MECHANISM

**BREAKER SERVICE, INC.**  
1080 S. CYPRESS STREET, SUITE D  
LA HABRA, CALIFORNIA 90631

PHONE: 800-826-5250  
FAX: 800-267-7690

MECHANISM  
GC 10616 OA-3  
FC 10616 OA-3

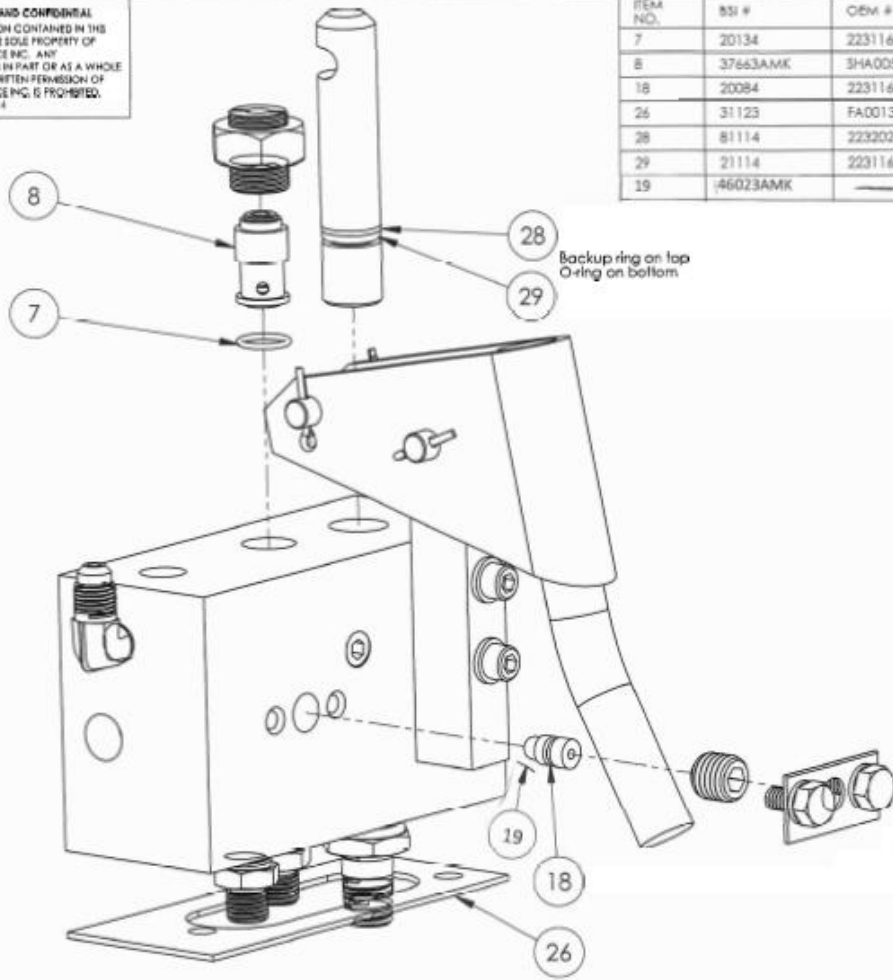
**12308**



**PROPRIETARY AND CONFIDENTIAL**  
THE INFORMATION CONTAINED IN THIS  
DRAWING IS THE SOLE PROPERTY OF  
BREAKER SERVICE INC. ANY  
REPRODUCTION IN PART OR AS A WHOLE  
WITHOUT THE WRITTEN PERMISSION OF  
BREAKER SERVICE INC. IS PROHIBITED.  
COPYRIGHT 2003

<b>BREAKER SERVICE INC</b>		
800-826-5250 office 888-267-7690 fax		
Resistor, multi tap, from 5 to 10 ohms by 1 ohm increments. Used in various Fed Pacific, McGraw Edison, & Cooper circuit breaker mechanisms		
SIZE <b>A</b>	DWG. NO. <b>37626AMK</b>	REV. <b>0</b>
SCALE: NTS	Date: 01-06-2003	SHEET 1 OF 1

**PROPRIETARY AND CONFIDENTIAL**  
 THE INFORMATION CONTAINED IN THIS  
 DRAWING IS THE SOLE PROPERTY OF  
 BREAKER SERVICE INC. ANY  
 REPRODUCTION IN PART OR AS A WHOLE  
 WITHOUT THE WRITTEN PERMISSION OF  
 BREAKER SERVICE INC. IS PROHIBITED.  
 COPYRIGHT 2004



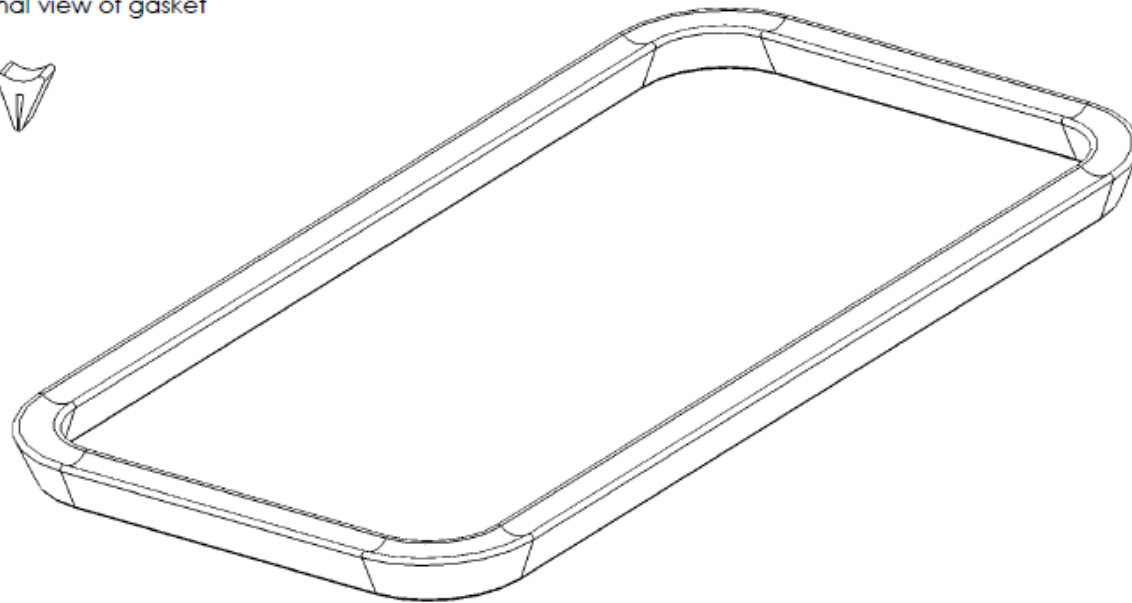
ITEM NO.	SSI #	QEM #	DESCRIPTION	QTY.
7	20134	223116013	"O" RING	1
8	37663AMK	3HA00504A00A	RELIEF VALVE ASSY	1
18	20084	223116008	"O" RING	1
26	31123	FA0013062	GASKET	1
28	81114	223202111	BACK-UP RING	1
29	21114	223116111	"O" RING	1
19	46023AMK		BALL BEARING	1

**BREAKER SERVICE INC**  
 800-526-5250 office 888-267-7690 fax  
 Kit to rebuild the manual hand  
 pump and relief valve block for  
 a McGraw Edison OA-3 mech.

REV. NO. **38405AMK**

SCALE 1:1 (IN) (DIM) SHEET 1 OF 1

Cross sectional view of gasket



PROPRIETARY AND CONFIDENTIAL  
THE INFORMATION CONTAINED IN THIS  
DRAWING IS THE SOLE PROPERTY OF  
BREAKER SERVICE INC.. ANY  
REPRODUCTION IN PART OR AS A WHOLE  
WITHOUT THE WRITTEN PERMISSION OF  
BREAKER SERVICE INC. IS PROHIBITED.  
COPYRIGHT 2003

<b>BREAKER SERVICE INC</b> 800-826-5250 office 888-267-7690 fax			
Tank gasket for hydraulic reservoir on McGraw Edison type OA-3 circuit breaker operating mechanisms			
SIZE <b>A</b>	DWG. NO. <b>37270AMK</b>	REV. <b>0</b>	
SCALE 1:2	Date: 02-03-2003	SHEET 1 OF 1	